

# CircuPool® Cartridge Filters

CJ-1350, CJ-1800, CJ-2250, CJ2750

## Owners Manual



### **⚠️ WARNING**

This equipment must be installed and serviced by a qualified technician. Improper installation can create electrical hazards which could result in property damage, serious injury or death. Improper installation will void the warranty.



### **Notice to Installer**

This manual contains important information about the installation, operation and safe use of this product. Once the product has been installed **this manual must be given to the owner/operator of this equipment.**

# TABLE OF CONTENTS

Introduction-----	01
Installation -----	01
Start Up Procedure -----	02
Maintenance-----	03
Cleaning -----	04
Flow Diagrams -----	04
Trouble Shooting Guide -----	05

## CircuPool CJ-SERIES CARTRIDGE FILTERS

CJ-Series Cartridge Filters do not require a media such as sand or D.E powder to operate, instead the filter contains a cartridge element which is easily removed to clean or replace.

All CJ-Series Cartridge Filters are ideal for use in swimming pools and spas. CircuPool CJ-Series Cartridge Filters are also ideal for use when backwashing is impractical (when high water usage is restricted or is not economical, for example).

## INSTALLATION

Remove the cartridge filter from the carton and install the pressure gauge into the threaded port on the filter lid provided. Using Teflon, wrap once around the brass pressure gauge thread in a clockwise direction and screw into the threaded lid port.

### CAUTION

*Only hand-tighten the pressure gauge into the lid for sealing.*

Place the Cartridge Filter into the required position. Ensure that it is on a flat level surface and is aligned with the pump.

The Cartridge Filter has marked inlet and outlet ports.

Ensure that the pipe extending from the pump outlet will be connected to the inlet marked on the Cartridge Filter.

Screw the supplied half barrel unions and collars onto the inlet and outlet before gluing the PVC piping onto the filter.

### CAUTION

*Use only the recommended glue for the connection pipes and fittings.*

Cut and fit the pipe and fittings onto and the pump the Cartridge Filter. **REFER** to Pump Installation Manual for correct pump plumbing procedures.

It is **best practice** to fit all the cut pipe and fittings onto the filtration system **before** gluing. This will ensure that the system has **been aligned** correctly.

Glue the pipe and fittings onto the pump, filter, and pool return lines and allow the glue to set for 24 hours before pressurizing the system.

It is **advisable** to bolt the filter down to the floor where the filter is located. This will prevent the filtration plumbing from experiencing excessive stress with the expansion and operation of the filter during regular cycles. It will also help to prevent unnecessary stress on the plumbing while unscrewing the filter lid lock ring.

## START UP PROCEDURE

CJ-Series Cartridge Filters are a simple and effective unit which will provide years of trouble-free service if the following maintenance procedures are maintained.

Starting the filtration system either from new or after cleaning is exactly the same.

1. Make sure the cartridge(s) are in place and the lid is securely fastened
2. Ensure that all valves installed before or after the filter are open (if applicable).
3. Ensure that the filter is plumbed correctly. Pipe from pump outlet must be attached to the filter inlet port.
4. Loosen the air bleed screw on top of the filter lid.
5. Prime the swimming pool pump. (*Refer to the pump installation and operation manual*).
6. Turn on the swimming pool pump and allow the pump to run until all the air has been expelled from the filter vessel. Water will run from the air bleed screw.
7. Tighten the air bleed screw closed.
8. Verify that there is good water flow back to the pool.
9. The filter is primed and ready for operation.

In some cases, this may be required to be done a few times before the unit will remain primed and be fully operational.

**IMPORTANT:** After startup, take note of what your pressure gauge reads (when the cartridges are clean) – this is your baseline filter operation pressure. **You may wish to write this on your filter's label** or record this in your notes. This will help you determine when maintenance is needed.

### CAUTION

*Do not stand over the lid when adjusting the air bleed to purge the system of air. Injury may occur if air bleed screw comes loose.*

## MAINTENANCE

To ensure that you get maximum life from your Cartridge Filter (and its internal cartridge element), you will need to maintain the filter regularly.

When the filter is first started and has been purged of air, note the pressure on the pressure gauge. This is what is known as the **filter operation pressure** and **it is important that you be aware of this figure**.

All filtration systems will operate at different pressures depending on the pool hydraulics.

You will need to clean the filter cartridge element(s) once the pressure gauge has reached 7-10 PSI above the operating pressure.

The CJ-Series Cartridge Filters have a maximum operating pressure of 50 psi.

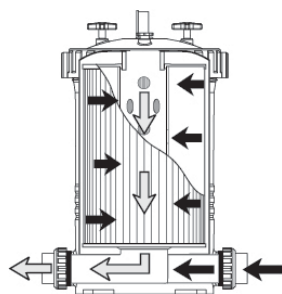
***EXAMPLE: A filter that operates normally at 15 psi needs to be cleaned at 22 psi.***

## CLEANING

### For 135 – 180 Sq. Ft Models:

Remove the cartridge element from the filter tank.

1. Using a garden type hose, clean the surface of the pleated elements. Make sure to clean well between the pleats.
2. Place the cartridge back into the filter tank ensuring that it is seated correctly.
3. Ensure lid "O"-ring is correctly re-installed.
4. Place the lid onto the tank and screw the lock ring down.
5. Ensure you've placed the lid "O"-ring on the lid before you start up the filter.
6. Refer to the start up procedure to re-commence operation.



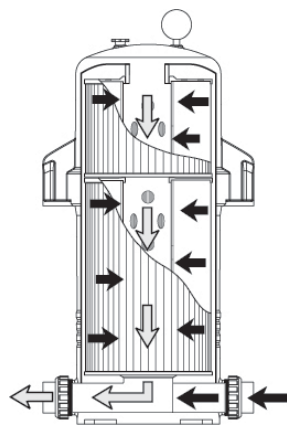
**FLOW DIAGRAM**

### **CAUTION**

*Do not over tighten the lid lock ring.*

### For 225 – 270 Sq. Ft. Models:

1. First, use the air bleed screw located on top of the domed lid to release any built-up pressure within the tank. Unscrew the domed filter lid from the filter tank using the two convenient molded handles.
2. Remove the cartridge element(s) from the filter tank.
3. Using a garden type hose clean the surface of the pleated elements, making sure to clean well between the pleats.
4. Place the cartridge(s) back into the filter tank ensuring that it is seated properly.
5. Ensure lid "O"-ring is correctly re-installed.
6. Place domed lid onto tank and screw tight using the two molded handles.
7. Refer to the start up procedure to re-commence operation.

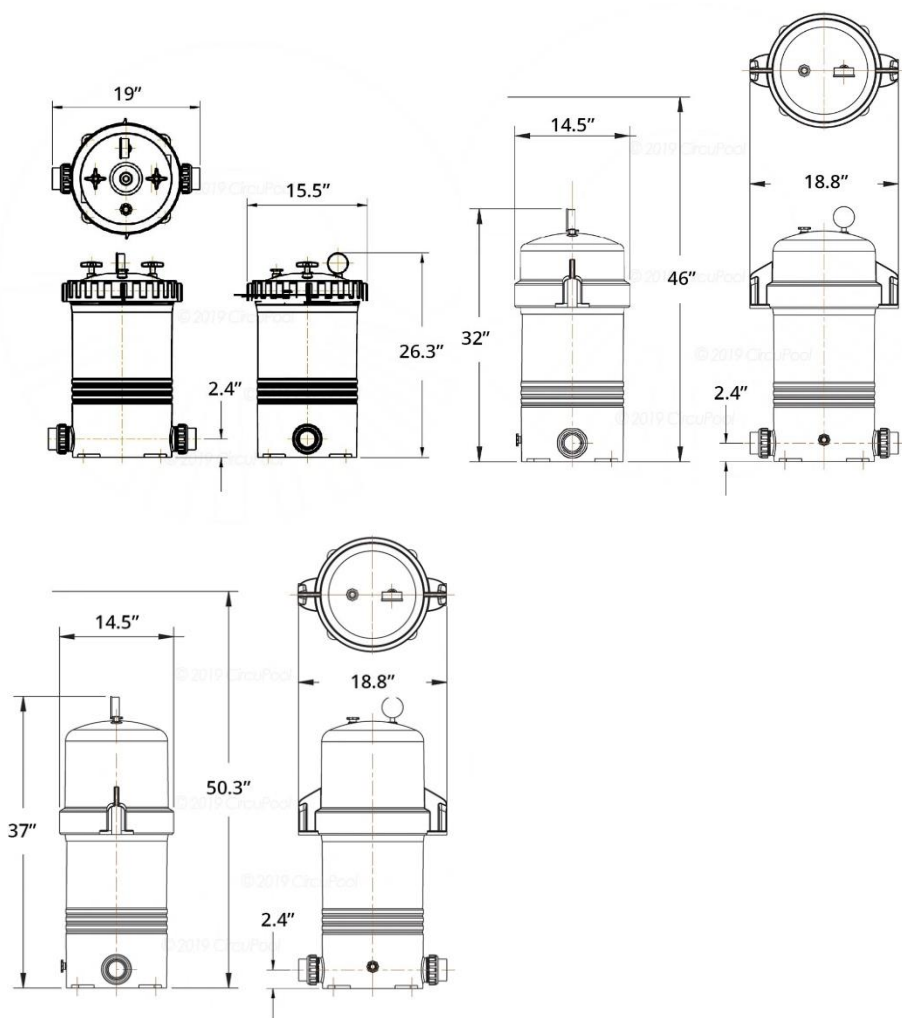


**FLOW DIAGRAM**

It is suggested that you should periodically remove the cartridge filter element and soak it overnight in a suitable cartridge cleaning solution product. This will remove any debris not removed by hosing down the element. Follow directions for use on the cleaning solution product. The cleaning time depends upon the swimming pool condition and use. Intervals between cleaning the element should not exceed a period of 12 months.

## TROUBLESHOOTING GUIDE

SYMPTOMS	POSSIBLE PROBLEMS / SOLUTIONS
Water is not clear	Insufficient disinfectant level.
	Incorrect pool chemistry.
	Heavy bathing and/or dirt loads.
	Incorrect flow.
	Insufficient running times =. Increase pump run time.
	Filter is dirty. Clean per instructions.
	Hole in filter element.
Low water flow	Check strainer baskets for debris.
	Check for air leaks on suction side.
	Check for restrictions or blockage in either suction or return lines.
	Filter needs to be cleaned or replaced.
	Pool water level too low.
	Pump not primed.
	Pump impeller vanes blocked.
Short filter cycles	Presence of algae, check disinfectant content.
	Check pH and total alkalinity.
	Pump output exceeds design flow rate of filter, check pump performance.
	Ineffective cleaning, check conditions, replace filter cartridge.
High pressure on start-up	Small eyeball fitting in Pool/ Spa.
	Partially closed valve on return line.
	Too large of pump, check selection.
Dirt returns to pool	Hole in filter cartridge, replace filter cartridge.
	Worn "O"-ring seal inside filter, replace "O"-ring.



**Filter Type:**

Cartridge

**Cartridge Diameter:**

10.2"

**Working Pressure:**

up to 50.8 psi

**Filtration Area:**

135 sq. ft. - 270 sq.ft

**Flow Rate:**

up to 134 gpm

**Maximum Pressure Drop:**

2.9 psi